



Trimax Machinery

ADVANCING CRUSHING FOR THE future

PRODUCT CATALOG



SEEING BEYOND CRUSHERS

What We Can Offer ...	3
Trent Jaw Crushers	5
JC Jaw Crushers	8
PFQ Horizontal Impact Crushers	10
NS & NH Cone Crushers	12
ACS Automated Control System	20
PLS Vertical Shaft Impactors	22
HS Grizzly Feeders	24
ADPLUS Vibrating Screens	26
YKR Vibrating Series	27
Mobile Solutions	28
Washing Plant Solutions	30
Complete Plant Solutions	32
Complete Plant Case Studies	33
Modular Skid Mounted Plants	34
Existing Plant Upgrade Case Studies	35
Conveyance Solutions	37
ADPLUS Online Singapore Shop	38

Trimax
Mach

DRIVING OUR EXCELLENCE

Trimax Machinery is an engineering company with its headquarters in Singapore, with subsidiary companies in Malaysia and Indonesia through Trimax Machinery (M) Sdn Bhd, Trimax Crushing & Screening Sdn Bhd, Sanmax DS Sdn Bhd and PT. Trimax Machinery, as well as distributors in various other countries. Today, we have over a hundred and fifty crushers in operation in various sites around the world.

We offer efficient crushers to assist quarries to make that crucial transition to higher capacity crushing operations producing better quality cubical products. Whether it is setting up a new crushing plant, upgrading an existing plant, or replacing an existing crusher, Trimax Machinery will be able to provide assistance and advice to quarries to make informed decisions on machinery that have long-term effects upon their quarry operations.

All Trimax crushers and machinery are supported by a world-class premium parts and service organisation to ensure optimum product reliability, availability, and customer support. No matter where you are in the world, Trimax Machinery aims to deliver an exceptional level of consistent service and support.

SEEING BEYOND CRUSHERS

Trimax Machinery today is recognised as a valued premium solutions provider to the mining & aggregates industries. We are no longer merely a crushing equipment supplier. We provide unique solutions in several ways that no other industry suppliers can. These are the fundamental principles that we strongly adhere to.

**QUALITY
SERVICE
STOCK
TRAINING
ENGINEERING**

QUALITY FOCUS

Using modern & accurate measuring equipment, dimensional accuracy of all crusher parts is confirmed before every crusher assembly.

A stringent internal quality control process caters for escalation & subsequent disposition of inspected parts that do not meet tolerances.



Every Trimax crusher comes with a standard 1-Year Warranty on spare parts (excluding wear parts) under normal running conditions beginning from the date of commissioning. As an added assurance after the crusher's first year of operation, an additional 2nd Year Warranty may be purchased. This 2nd Year Extended Warranty extends your coverage up to two years from the original commissioning date of your Trimax crusher.



Trimax Machinery only installs components in our machinery and equipment from brands who are market leaders in their respective fields of expertise. Utilisation of high quality components results in increased durability & reliability.



For over 10 years, we have been using spherical plain bearings in our cone crushers as opposed to a spider bushing.

Why have we been doing it? We incorporated it into our design because it made logical sense to do it.



Similarly, for over 10 years, we have been supplying cone crushers with large lubrication tanks and fan coolers because we understand how important it is for crushers to operate within an optimal temperature range.

As a result of that, in places where other cone crushers over-heat, ours just don't. Ours just continue crushing and crushing.



SERVICE FOCUS

We have dedicated service & support teams who attend to customer issues on an impromptu basis as well as regular scheduled visits as part of our Trimax Customer Service Program. These visits are on a rotational basis regardless of whether any machinery or equipment break-down has occurred.



CRUSHER PARTS STOCK

Assembling our own crushers means that we always have 100% of all parts in our inventory, down to the very last bolt and nut.

Updated March 2024



We also have multiple stock locations in various countries to further reduce delivery time. This means that we are more than adequate to support your operations so that you never have to worry about prolonged or unnecessary operational down-time ever again.

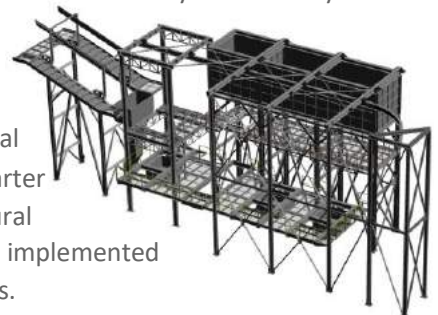
CRUSHER TRAINING

For buyers of our Trimax crushers, free training on dismantling and assembly of main crusher parts, as well as basic crusher maintenance is conducted for quarry operational staff. This training is conducted by our Trimax Service Engineers at our Trimax Crusher Assembly & Training Facility.



ENGINEERING DESIGN CAPABILITIES

Trimax Machinery has the ability to provide computer-aided modelling & simulation analysis to assist you to properly plan for plant upgrades as well as new plants. International industry-wide smarter & practical structural plant designs are implemented in all our proposals. Most importantly, we listen, we adapt and we deliver...





TRIMAX TRENT JAW CRUSHERS

HEAVY DUTY JAW CRUSHERS

HEAVY DUTY TRENT JAW CRUSHER

The Trimax Trent heavy duty jaw crusher is our top-of-the-range single-toggle jaw crusher. It is a rugged heavy duty, high capacity jaw crusher capable of crushing any type of feed material. It was designed and engineered to give reliable, high performance in every primary crushing application. Incorporating several design improvements has strengthened its position as a tough and durable jaw crusher.



DESIGN IMPROVEMENTS THAT MATTER

For all models, the Trimax Trent jaw crusher is supplied with a versatile integral motor base. Reducing the need for additional space and long V-belts.

With the operator in mind, the Trimax Trent jaw crusher is equipped with hydraulic wedge closed side setting (CSS) adjustment as standard. Thus, improving the productivity and minimising down-time for the quarry.

It is also designed for easy maintenance with centralised greasing points and installed with durable FAG bearings for added assurance that you will receive many years of service from your Trimax Trent jaw crusher.

In addition, the Trimax Trent jaw crusher offers several optional add-ons to enhance its total package as a modern jaw crusher suitable for your quarry.

MONITORING SENSORS

Optional sensors for temperature and vibration monitoring of bearings can be supplied with your Trimax Trent jaw crusher, enabling real-time monitoring of the bearings.



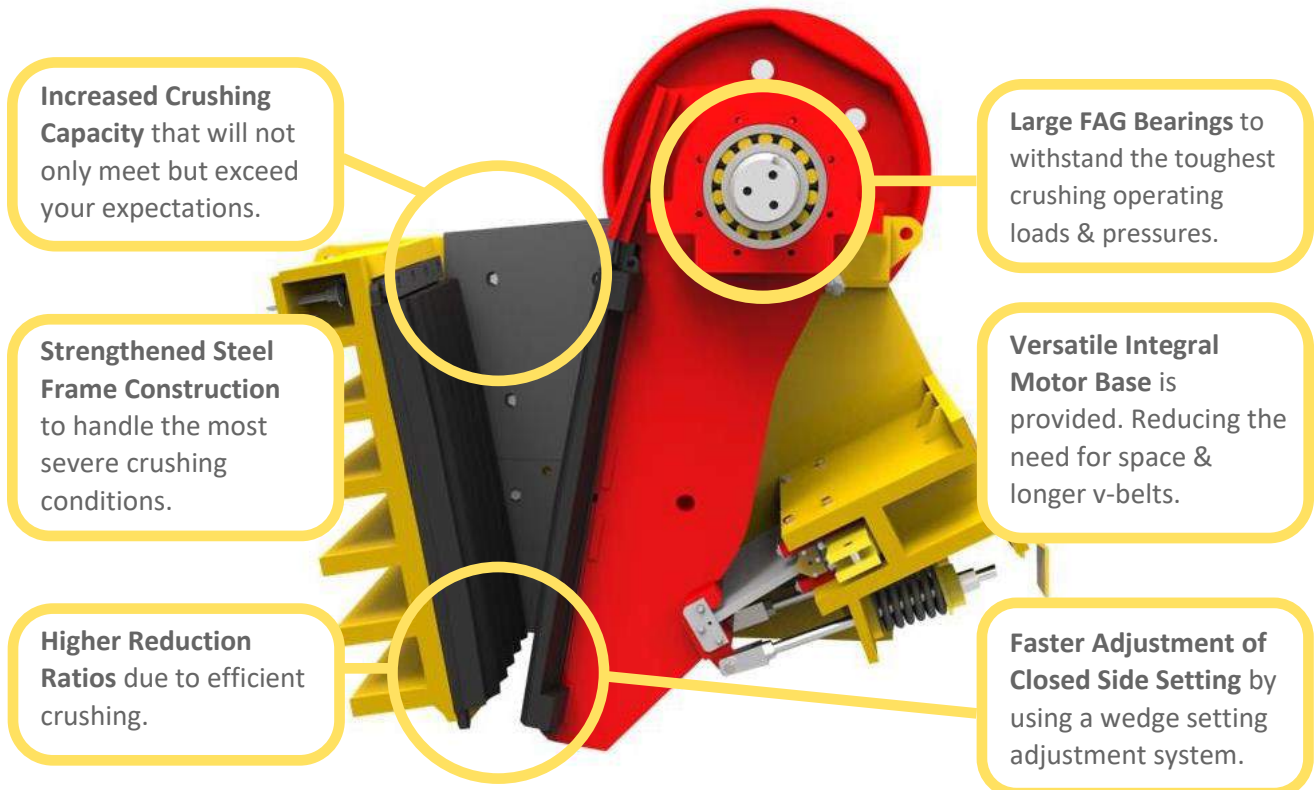
AUTO-GREASING

Optional auto-greasing of the Trimax Trent jaw crusher's bearings is now possible with the supply of a lubrication pump system.

Frequent and small measured quantities of greasing gives the bearings better protection as opposed to the common practice of replenishing grease only once before every shift.



MODERN DESIGN IMPROVEMENTS AT A GLANCE



CRUSHING CAPACITIES

TRENT SERIES

MODEL	MOTOR KW (HP)	MAX FEED MM	FEED OPENING MM	NOMINAL CAPACITY IN TPH WITH CSS IN MM											WT. KG		
				50	75	100	125	150	175	200	225	250	275	300			
36-25	90 (125)	620	930 x 580 (36" x 25")	125	160	195	225	255	290								18,100
42-30	110 (150)	750	1070 x 700 (42" x 30")		215	260	305	345	390	420							29,500
48-36	160 (200)	875	1220 x 910 (48" x 36")		280	330	385	440	495	535	570						42,300
54-42	185 (250)	910	1370 x 1070 (54" x 42")			395	470	535	615	670	720						62,900

Performance figures are approximate and only give an indication of what the crusher can do. Degree of reduction, material's crushability, size of feed material, and moisture content of feed material, etc. all affect crusher performance.



The product graph and the percentage of the crusher product that is smaller than the closed side setting (square hole, mm) is dependent on the crushability of the material, size distribution of the feed material, as well as other factors.

TRIMAX JC JAW CRUSHERS

UNRIVALLED RELIABILITY



FEATURES THAT MATTER

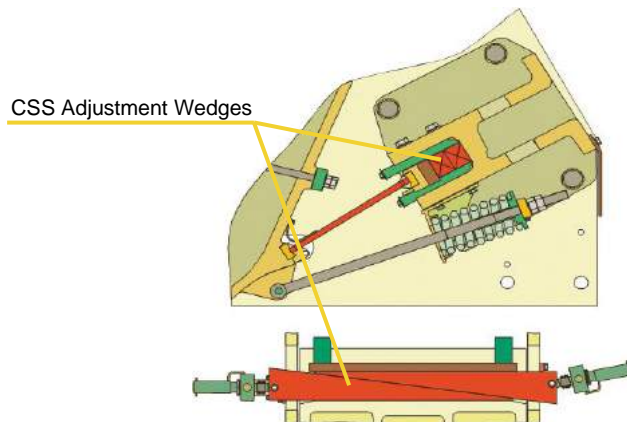
The Trimax JC heavy duty jaw crusher has been designed with unrivalled reliability in mind. It has several exceptional in-built features that will meet your material reduction requirements.

HIGH CAPACITY

- “V” Shaped Symmetrical Crushing Chamber
- Deep Crushing Cavity
- Small Nip Angle
- Appropriate High Rotation Speed
- Large Aggressive Stroke

These attributes collectively contribute to maximizing the capacity and productivity of the equipment, making it well-suited for demanding crushing applications.

CLOSED SIDE SETTING (CSS) ADJUSTMENT



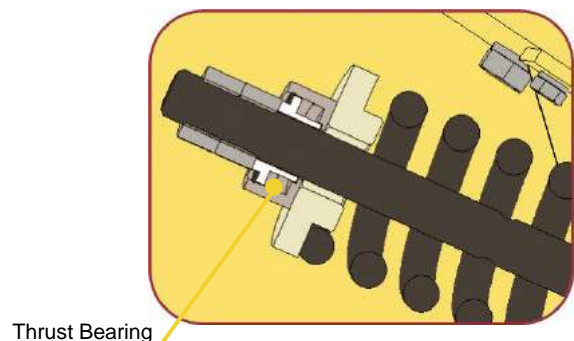
The use of wedges to adjust Close Side Setting (CSS) allows convenient operation and faster adjustment for the operator.

LARGE BEARINGS

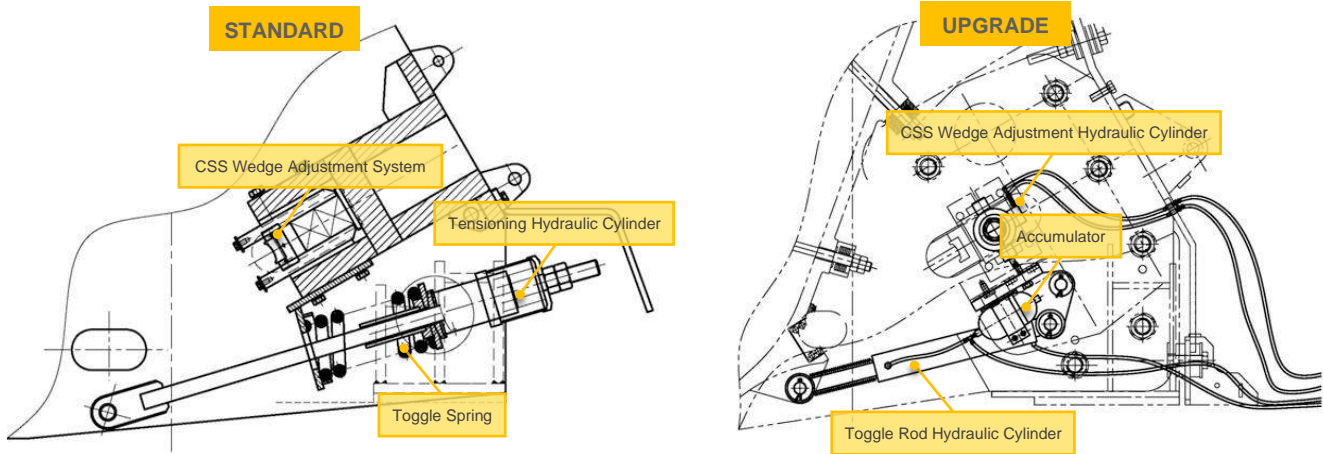
The Trimax JC heavy duty jaw crusher is installed with large bearings that allows it to have a high load-bearing capacity and enables a longer service life.

ENHANCED TOGGLE SPRING ASSEMBLY

The inclusion of a thrust bearing within the toggle spring assembly serves multiple purposes. Primarily, it provides crucial support for handling heavy loads, ensuring smoother functionality and reduced wear on components. Additionally, the presence of the thrust bearing facilitates quick and straight-forward adjustments during tensioning and loosening of the spring. This feature significantly saves time and effort for operators, allowing them to maintain optimal spring tension with minimal downtime or hassle.



CONFIGURATION OPTIONS



CRUSHING CAPACITIES

JC SERIES

MODEL	MOTOR KW (HP)	MAX FEED MM	FEED OPENING MM	NOMINAL CAPACITY IN TPH WITH CSS IN MM												
				50	70	90	100	125	150	175	200	225	250	275	300	
JC90	90 (125)	530	900 x 600	80 110	120 140	160 200	180 220	210 280	260 330	300 360						
JC100	110 (150)	640	1000 x 760		130 190	180 225	200 250	235 310	280 370	330 420	390 520					
JC110	110 (150)	720	1100 x 850		180 240	220 295	245 320	300 385	350 455	400 520	460 590					
JC125	160 (200)	810	1250 x 950				270 360	325 430	385 505	445 580	500 650	560 725	620 800			
JC130	185 (250)	940	1250 x 1100				330 400	350 450	420 530	480 610	530 700	600 780	670 850	730 900		
JC140	200 (270)	910	1400 x 1070					380 470	450 555	510 640	550 725	620 815	700 900	760 985		
JC150	200 (270)	1020	1400 x 1200					400 500	460 570	520 660	560 730	630 830	710 970			
JC160	250 (340)	1020	1600 x 1200						490 640	550 730	635 825	710 920	780 1010	855 1105	930 1200	
JC200	400 (545)	1300	2000 x 1500								750 1100	860 1280	960 1500	1050 1650	1150 1850	1300 2000

Performance figures are approximate and only give an indication of what the crusher can do. Degree of reduction, material's crushability, size of feed material, and moisture content of feed material, etc. all affect crusher performance.



TRIMAX PFQ HORIZONTAL SHAFT IMPACT CRUSHERS

UNBEATABLE PERFORMANCE

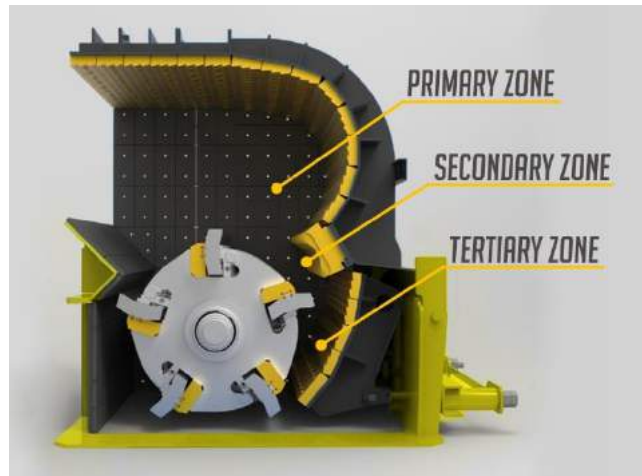
HIGH PERFORMANCE HSI

Trimax PFQ Horizontal Shaft Impact Crusher(HIS) features a combination of optimized rotor design, wear liner material, and crushing chamber design. This combination has proven revolutionary in improving capacity, product quality and in reducing operating and wear costs.

3 CRUSHING ZONES

The PFQ Horizontal Shaft Impact Crusher has 3 innovative crushing zones within its crushing chamber design.

These three innovative crushing zones enable it to achieve higher reduction ratios, high production volumes, and better shaping.



DESIGN FEATURES THAT MATTER

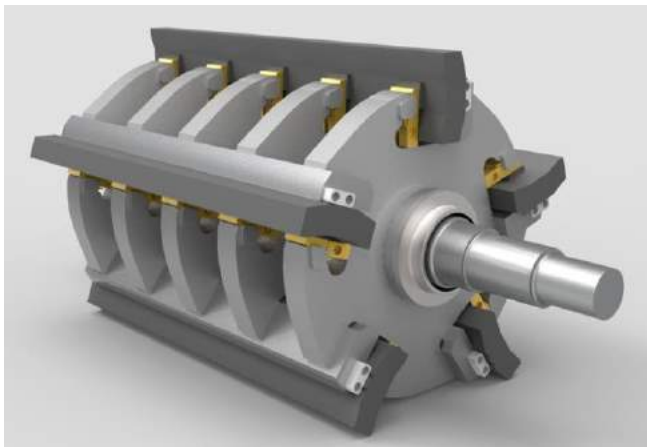
A combination of optimized rotor design and high rotational inertia allows higher crushing yields and greater crushing ratios.

CRUSHING CAPACITIES

PFQ SERIES

MODEL	MOTOR KW (HP)	MAX FEED MM		OUTPUT SIZE	CAPACITY TPH
		150 MPa	250 MPa		
PFQ1108	75 (100)	300	180	≤ 30mm (80 – 90%)	80
PFQ1110	110 (150)	400	200	≤ 35mm (80 – 90%)	110
PFQ1113	132 (175)	400	200	≤ 40mm (80 – 90%)	140
PFQ1310	160 (215)	500	200	≤ 40mm (80 – 90%)	180
PFQ1313	200 (270)	500	250	≤ 40mm (80 – 90%)	225
PFQ1315	250 (335)	500	300	≤ 40mm (80 – 90%)	280
PFQ1320	2 x 160 (2 x 215)	500	300	≤ 50mm (80 – 90%)	350
PFQ1520	2 x 250 (2 x 335)	600	300	≤ 50mm (80 – 90%)	500

Performance figures are approximate and only give an indication of what the crusher can do. Degree of reduction, material's crushability, size of feed material, and moisture content of feed material, etc. all affect crusher performance.



Innovative C-shaped hammers / blow bars made of heavy-duty wear alloy, ensure the stability of the output product shape and particle size distribution throughout its wear life.



The standard modular impact plates and side liners are highly interchangeable within the crushing chamber, enabling maximum versatility. This results in higher utilization rates and longer service wear life.



TRIMAX NS & NH CONE CRUSHERS

HEAVY DUTY CONE CRUSHERS

NS & NH CONE CRUSHERS

We have incorporated the latest cone crushing technology with field proven crushing concepts, and applied them in our range of heavy duty cone crushers.



WHY SIMPLY BETTER CRUSHERS

The Trimax range of heavy duty cone crushers consists of the NS series cone crusher suitable for secondary crushing applications and the NH series cone crusher suitable for tertiary crushing applications.

All Trimax cone crushers are high-speed cone crushers of heavy duty construction, with high reliability and durability that give exceptional production capacity relative to their size.

As a standard safety feature within the Trimax NH series cone crusher, the accumulator & hydraulic system functions as an Automated Overload Protection.

With the operator in mind, Trimax cone crushers are equipped with hydraulic closed side setting (CSS) adjustment at the push of a button. It is also designed for easy maintenance and is installed with SKF and FAG/INA bearings for added assurance that you will receive many years of service from your Trimax cone crusher.

DYNAMIC SETTING ADJUSTMENT

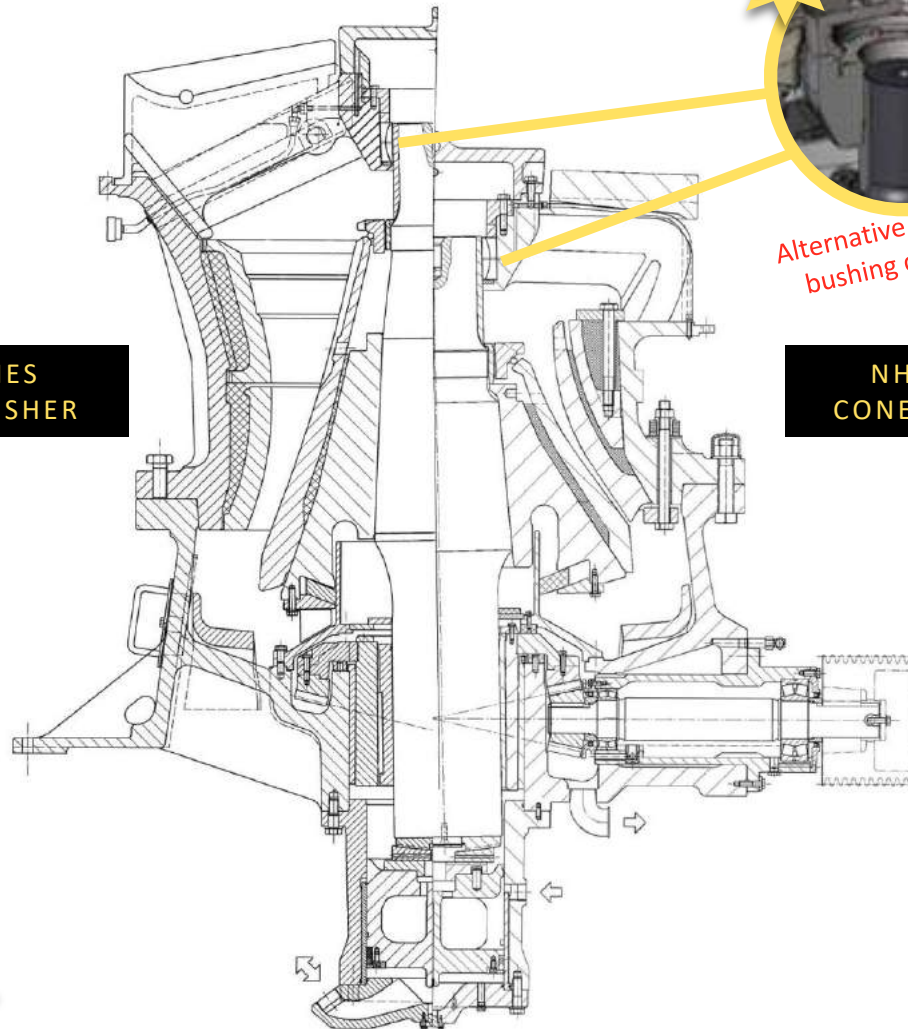
Closed Side Setting (CSS) can be hydraulically adjusted at the push of a button even when the crusher is under load.

EASY MAINTENANCE

All major components of the crusher can be disassembled from above, enabling easy maintenance.

MAXIMUM IN-BUILT VERSATILITY

A key design advantage of the Trimax cone crusher over our competitors is its in-built versatility. With its wide range of manganese liner options and multiple eccentric throw selection, it has the widest range of versatility available in the market and is capable to handle any type of crushing application.



NS SERIES
CONE CRUSHER

NH SERIES
CONE CRUSHER

PREMIUM
RANGE ONLY

DURABLE MAIN SHAFT BEARING

A spherical plain bearing is used instead of a conventional spider bushing, improving bearing life due to minimised resistance to the movement of the main shaft. This allows better alignment and extends the life of the eccentric and bronze bushings. Alternatively, the spider bushing design is available for customers who are more familiar with this design.

Updated March 2024

OPTIMISED OPERATING TEMPERATURE

Both the larger lubrication tank and more effective cooling system have been designed to maintain the temperature of the crusher and assist it to operate within an optimal temperature range.

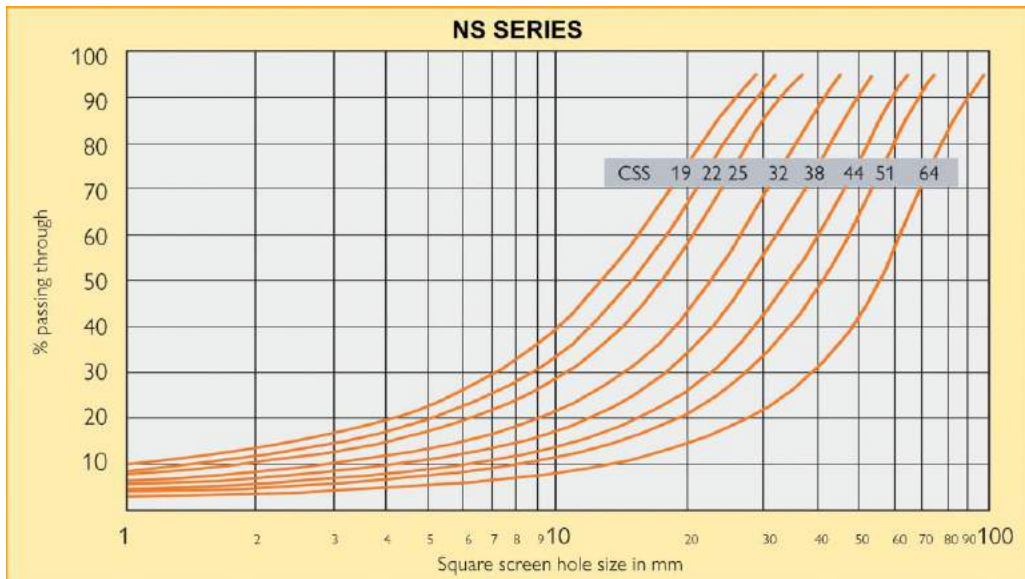


CRUSHING CAPACITIES

NS SERIES CAPACITY

MODEL	MOTOR KW	MAX FEED MM	NOMINAL CAPACITY IN TPH WITH CSS IN MM													
			22	25	29	32	35	38	41	44	48	51	54	60	64	
NS300	160	EC 360		180	220	230	280	290	305	310	315	310				
		C 300	150	185	225	240	255	270	280	265						
NS400	220	EC 450				335	390	425	460	465	470	465	455			
		C 400			335	380	390	410	405	400	390	335				
NS600	315	EC 560							475	560	650	690	790	855	900	
		C 500							490	510	590	700	725	755	820	790

Performance figures are approximate and only give an indication of what the crusher can do. Eccentric throw, degree of reduction, material's crushability, size of feed material, and moisture content of feed material, etc. all affect crusher performance.



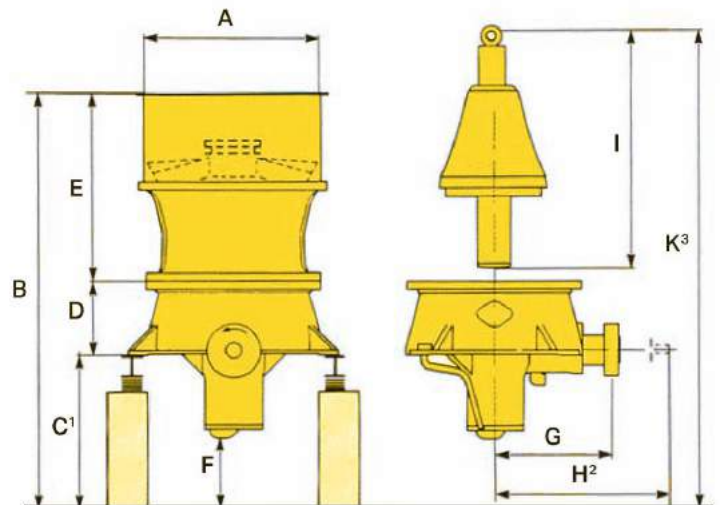
The product graph and the percentage of the crusher product that is smaller than the closed side setting (square hole, mm) is dependent on the crushability of the material, size distribution of the feed material, as well as other factors.



NS SERIES

DIMENSIONS, MM

Dim.	NS300	NS400	NS600
A	∅ 1635	∅ 2000	∅ 2800
B	2485	4075	5100
C1	1125	1300	1600
D	655	745	860
E	1705	2030	2640
F	422	452	631
G	1061	1280	1497
H2	1705	1900	2156
I	2050	2420	2895
K3	4250	4930	5355



Dimensions are intended only as a guide for preliminary planning of the installation and should not be used for the construction of foundations, etc.

APPROXIMATE WEIGHTS, KG

	NS300	NS400	NS600
Heaviest Lift During Maintenance	5100	8100	16500
Total Weight	12000	19300	35700

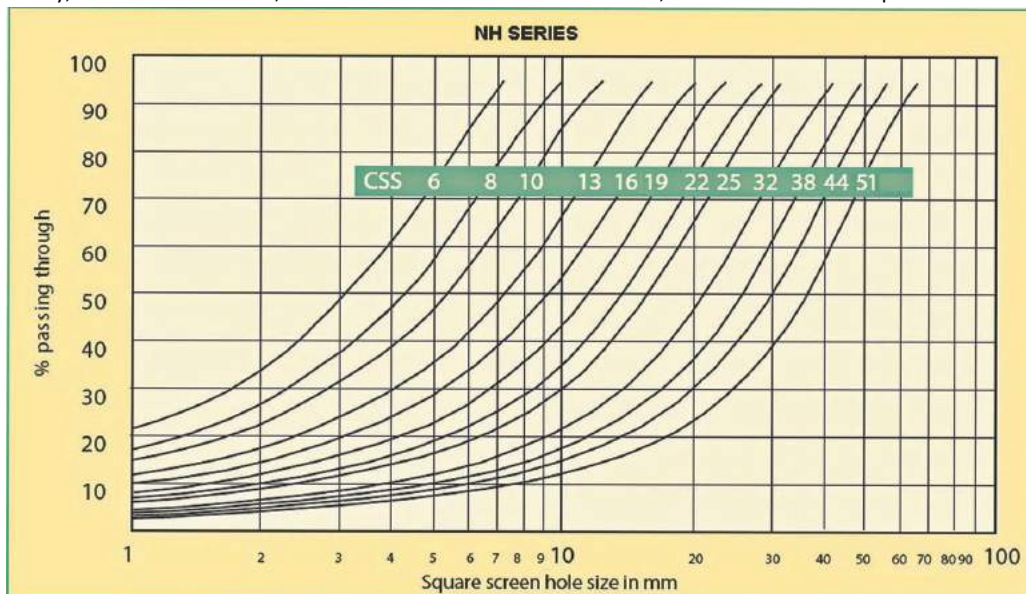
Trimax
Machinery

CRUSHING CAPACITIES

NH SERIES CAPACITY

MODEL	MOTOR KW	MAX FEED MM	NOMINAL CAPACITY IN TPH WITH CSS IN MM											
			6	8	10	13	16	19	22	25	32	38	44	51
NH300	160	EC 190				105	130	140	150	160	180	210		
		C 145				115	125	130	145	150	170	160		
		MC 115			65	115	125	135	145	155	150			
		M 90			90	115	130	135	140	150	140			
		MF 75		70	75	105	115	120	115	110				
		F 50		75	75	80	90	100	105	95				
		EF 35	75	75	80	85	95	100						
NH400	220	EC 210					165	210	225	240	270	300	305	
		C 175				105	170	205	230	245	280	295	300	
		MC 140				115	195	210	220	235	250	265		
		M 110				160	210	215	220	240	250	255		
		MF 85			120	185	200	215	230	245	250			
		F 70		120	145	155	170	180	190	205	200			
		EF 38	100	110	125	140								
NH600	315	EC 275					210	325	390	415	480	540	590	510
		C 215					215	340	415	440	505	560	565	355
		MC 175					250	370	395	420	480	500	365	
		M 135					300	400	425	455	475	480		
		MF 115				230	350	375	400	430	450	460		
		F 85				305	325	350	375	400	395	325		
		EF 65				295	315	300	290					

Performance figures are approximate and only give an indication of what the crusher can do. Eccentric throw, degree of reduction, material's crushability, size distribution of the feed material, and moisture content of feed material, etc. all affect crusher performance.



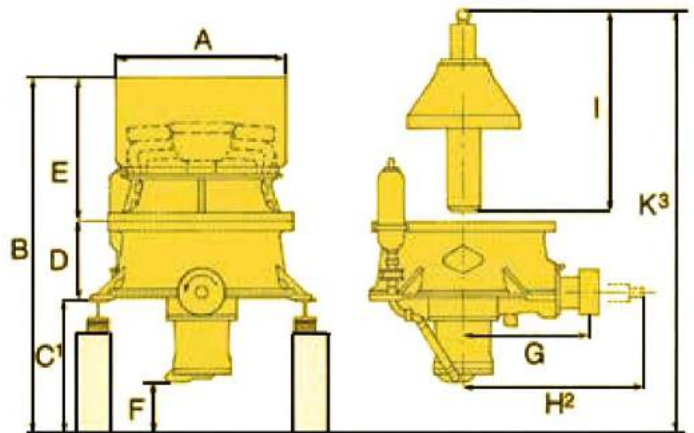
The product graph and the percentage of the crusher product that is smaller than the closed side setting (square hole, mm) is dependent on the crushability of the material, size distribution of the feed material, as well as other factors.



NH SERIES

DIMENSIONS, MM

Dim.	NH300	NH400	NH600
A	∅ 1360	∅ 1540	∅ 2104
B	2992	3410	4215
C1	1125	1300	1600
D	655	745	860
E	1212	1365	1755
F	422	452	631
G	1061	1280	1497
H2	1705	1900	2156
I	1688	1985	2344
K3	3570	4000	4835

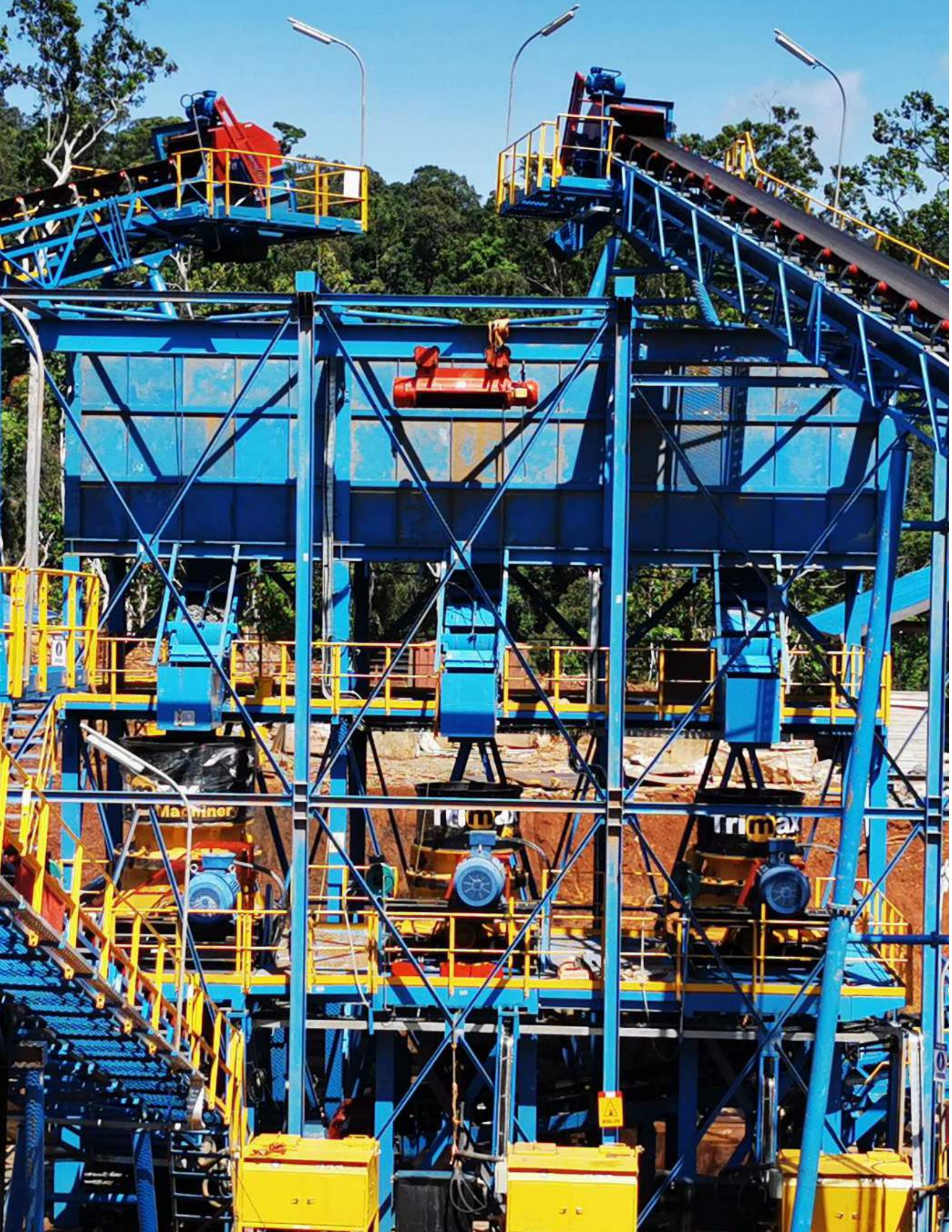


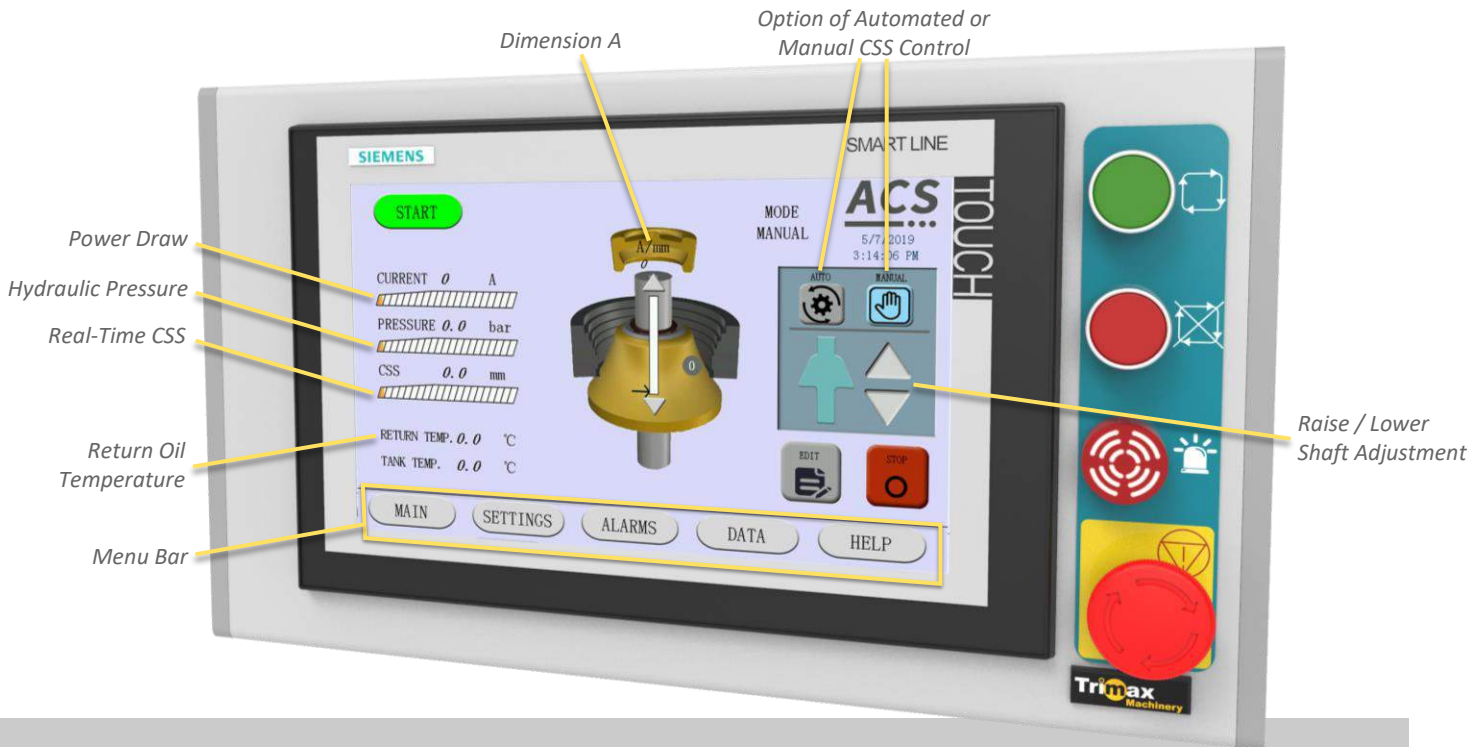
Dimensions are intended only as a guide for preliminary planning of the installation and should not be used for the construction of foundations, etc.

APPROXIMATE WEIGHTS, KG

	NH300	NH400	NH600
Heaviest Lift During Maintenance	2900	4700	8500
Total Weight	9200	14300	26800

Trimax
Machinery

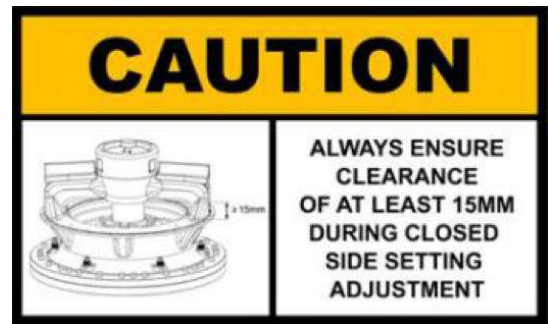
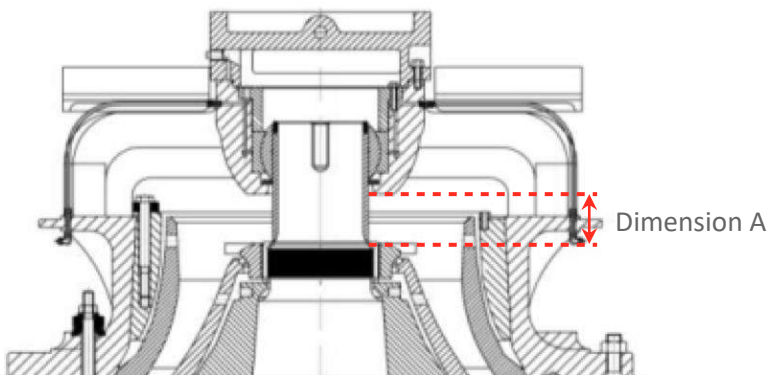




TRIMAX AUTOMATED CONTROL SYSTEM

REAL - TIME CSS MONITORING AT YOUR FINGER TIPS

Dimension A - Clearance Distance Between Main Bearing Chamber & Head Nut



IMPORTANCE OF DIMENSION A

CSS is not measured but instead, calculated by the program. The position of the piston and therefore, the shaft is measured by a position displacement sensor at the bottom of the crusher. By relating to dimension "A", the CSS can be calculated.

A maximum shaft travel distance is pre-determined by the program settings to ensure that the mantle will not be able to collide with the main bearing chamber.

This figure is used during calibration to determine the bottom position and also a metal-to-metal position.

Once calibrated, dimension A can be checked by measuring between the main bearing chamber & head nut.

KEY COMPONENTS OF THE TRIMAX AUTOMATED CONTROL SYSTEM (ACS)



Position Sensor



Pressure Sensor



Touch Screen LCD



Push Button Control Station

KEY BENEFITS OF THE TRIMAX AUTOMATED CONTROL SYSTEM (ACS)

1. Controls your crusher automatically whilst protecting it from damage.
2. Helps increase production.
3. Helps obtain the highest degree of reduction.
4. Improves product distribution.
5. Achieves better product shapes.
6. Improves consistency of all aspects of final products.
7. Simple colourful graphics and touch-screen interface with built-in instruction manual that is easy for the operator to understand.

Today's customers have to maximise return on their investment. This not only means achieving the maximum throughput from their crushers but having control in a way that maximises the quality and volume of their most saleable products, while reducing maintenance costs especially unplanned and expensive traumatic failure.

To achieve this, the customer has to have maximum control especially of the setting at which the crusher operates. This can only be accomplished with a setting control system such as the Trimax Automated Control System (ACS).

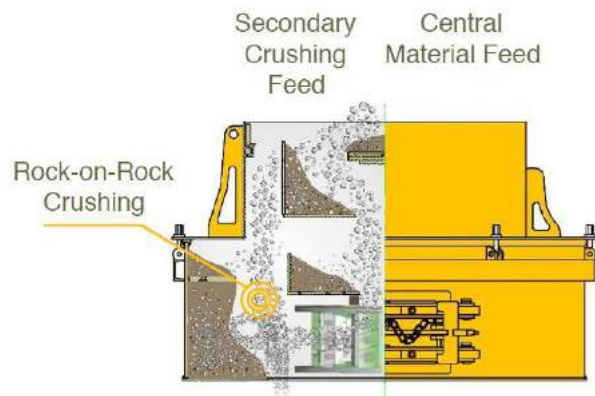
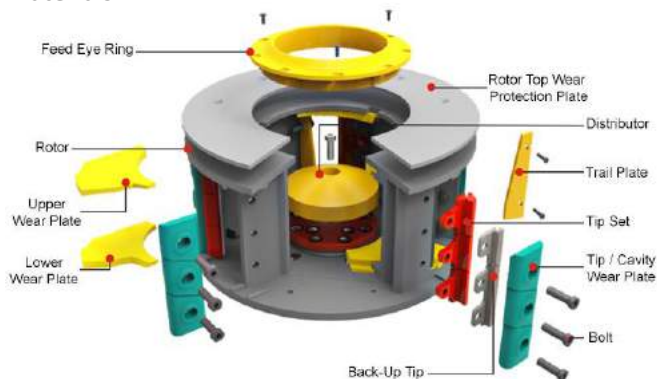


TRIMAX PLS VERTICAL SHAFT IMPACTORS

EXCELLENT SIZE REDUCTION & PRODUCT SHAPING

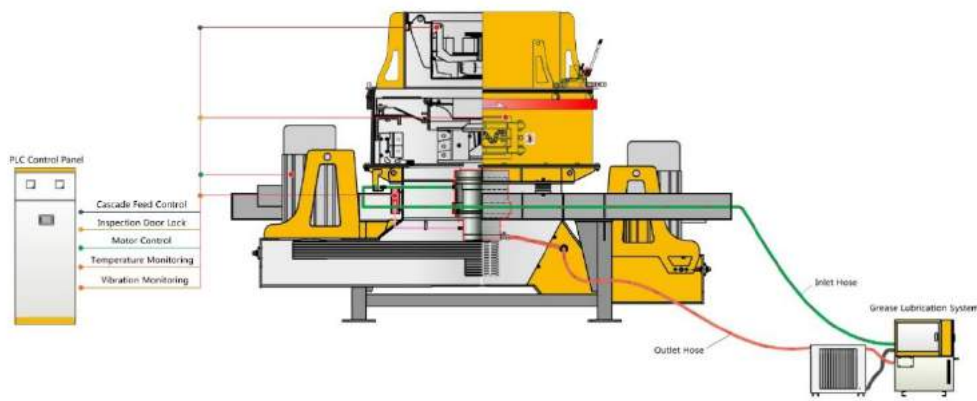
PLS VERTICAL SHAFT IMPACTORS

Trimax PLS Vertical Shaft Impactors are used for the production of high quality manufactured sand and high valued cubically shaped aggregates. Other applications include rolled compressed concrete (RCC) for dam construction, recycling industries crushing a wide range of materials (concrete glass, slag, etc.) and industrial mineral plants crushing extremely abrasive high-value materials.



AUTOMATED CONTROL SYSTEM

The optional Trimax Automated Control System (ACS) monitors the temperature of the bearings and vibration levels. An alarm will be raised if any faults are detected. In severe cases, an auto-stop function will be activated in order to protect the crusher.



CRUSHING CAPACITIES

PLS SERIES

MODEL	MAX FEED MM	ROTOR SPEED RPM	MOTOR KW	CAPACITY TPH	WEIGHT KG
PLS-700 II	35	1775 – 2050	55	30 – 38	7,500
			75	40 – 52	
			90	50 – 65	
			110	60 – 78	
PLS-850 II	50	1320 – 1720	2 x 90	95 – 125	11,500
			2 x 110	120 – 160	
			2 x 132	150 – 195	
			2 x 160	200 - 260	
PLS-1000 II	60	1240 – 1460	2 x 160	200 – 260	17,000
			2 x 200	250 – 325	
			2 x 220	275 – 360	
PLS-1200 II	60	1040 – 1300	2 x 250	320 – 410	22,650
			2 x 280	375 – 490	
			2 x 315	420 - 550	

Performance figures are approximate and only give an indication of what the crusher can do. Degree of reduction, material's crushability, size of feed material, and moisture content of feed material, etc. all affect crusher performance.



TRIMAX HS GRIZZLY FEEDERS

FIELD-PROVEN, DURABLE & EFFICIENT



SPECIFICATIONS

HS SERIES

MODEL	MOTOR KW	SCREEN SIZE MM	CAPACITY TPH	WEIGHT KG
HS-2	11	950 x 3800	150	4,800
HS-3	15	1100 x 4200	250	5,350
HS-4	18.5	1100 x 4900	300	6,265
HS-5	30	1500 x 4200	400	8,735
HS-6	37	1800 x 4800	600	12,580
HS-7	45	2100 x 5200	800	16,300

HS GRIZZLY FEEDER

The Trimax HS Grizzly Feeder offers the user efficient and fuss-free feeding of material. Exceptionally efficient performance coupled with high durability makes this feeder the preferred choice for many quarries.

KEY FEATURES

Trimax HS Grizzly Feeders are engineered to combine the functions of feeders and screens into one machine and are capable of accepting loads, bypassing material and moving material. The tapered opening design of the grizzly bars is self-cleaning. It nudges rocks hanging between bars along to increasingly wider openings, eventually separating them out from oversize material and bypassing the crusher.

Bypassing material that is already to size helps operators increase overall plant capacity, boost efficiency, control fines and reduce maintenance.

The main frame of a Trimax HS Grizzly Feeder is comprised of deep, fabricated side frames, heavy-duty cross-members, double eccentric shafts, and a pan section that incorporates yield-strength steel; all of which are welded and stress-relieved to provide operators with years of low-maintenance service.

In addition, replaceable grizzly bars and liners that protect the pan are installed in segments for economical replacement.

Updated March 2024



TRIMAX ADPLUS VIBRATING SCREENS

EFFICIENCY COUPLED WITH TOUGH CONSTRUCTION

SPECIFICATIONS

ADPLUS SERIES

MODEL	MOTOR KW	SCREEN SIZE MM	MODEL	MOTOR KW	SCREEN SIZE MM
1512	5.5	1524 x 3660 x 1 Deck	3620	18.5	1830 x 6096 x 3 Decks
2512	7.5	1524 x 3660 x 2 Decks	2720	18.5	2134 x 6096 x 2 Decks
2612	11	1830 x 3660 x 2 Decks	3720	18.5	2134 x 6096 x 3 Decks
2616	15	1830 x 4880 x 2 Decks	2820	22	2438 x 6096 x 2 Decks
2716	15	2134 x 4880 x 2 Decks	3820	37	2438 x 6096 x 3 Decks
3716	15	2134 x 4880 x 3 Decks	2824	30	2438 x 7316 x 2 Decks
2620	15	1830 x 6096 x 2 Decks	3824	45	2438 x 7316 x 2 Decks

ADPLUS VIBRATING SCREEN

The ADplus vibrating screen is a field-proven vibrating screen that is of heavy duty construction.

It comes in single, double, and triple deck configurations of various sizes for added flexibility.

HEAVY DUTY DESIGN

The use of bended steel side plates prevent warping during prolonged stresses. It also has vertical stiffening angle bars which add rigidity to its already rugged construction.

MINIMAL RESONANCE MOTION

The unique spring-controlled centrifugal counterweight assembly's innovative feature eliminates excessive resonance motion when the vibrating screen is starting or stopping.

ADJUSTABLE COUNTERWEIGHTS

Amplitudes of circular motions can be varied by increasing or decreasing the number of counterweights bolted to the counterweight arms on either side of the centrifugal counterweight assembly.

PERFORMANCE & RELIABILITY

The ADplus vibrating screen is installed with FAG Germany bearings for added performance & reliability.



TRIMAX YKR VIBRATING SCREENS

DESIGNED TO HANDLE HIGHER CAPACITIES

SPECIFICATIONS

YKR SERIES

MODEL	SCREEN SIZE MM	AMPLITUDE MM	SPEED RPM	CAPACITY TPH	MOTOR KW
3YKR2475	2400 x 7500 x 3 Decks	7 – 9	810	150 – 950	2 x 30
3YKR3073	3000 x 7300 x 3 Decks	6 – 9	810	110 – 1100	2 x 30
3YKR3280	3200 x 8000 x 3 Decks	7 – 9	810	125 – 1200	2 x 37
3YKR3680	3600 x 8000 x 3 Decks	7 - 9	810	125 – 1200	2 x 45

TWIN SHAFT DESIGN



The YKR vibrating screen’s twin shaft design has several advantages: -

- ❖ Improved Efficiency & Performance
- ❖ Better Handling of Heavy Loads
- ❖ Reduced Vibration Transmission with Counter-Rotating Shafts
- ❖ Durability & Reliability

COUNTER-WEIGHT VERSATILITY

By altering the quantity of secondary counter-weights, the excitor is capable of accommodating varying excitation forces and is suitable for diverse vibrating screen specifications. This adaptability ensures excellent part interchangeability and versatility, alongside a high level of standardization and modular design.

DESIGNED BY FINITE ELEMENT ANALYSIS

Combines the latest modern material technology and advanced engineering design technology. Utilising Finite Element Analysis (FEA) enables exceptional reliability and an extended lifespan.

RUBBER SPRING SUPPORTS

Enhances durability, resistance to corrosion, smooth transition through the resonance zone, reduced noise levels and minimal foundation impact.



TRIMAX MOBILE SOLUTIONS

MORE PRODUCTION. LESS HASSLE.





TRIMAX MOBILE SOLUTIONS

Trimax Machinery manufactures wheeled and tracked mobile crushing, screening & conveying equipment. These are customised Primary, Secondary, and Tertiary and aggregate processing solutions for applications in the quarrying and construction industries.

GUIDING PRINCIPLE

At Trimax Machinery, we are constantly aiming to produce the very best in wheeled and tracked mobile crushing, screening & conveying equipment. When designing customised mobile solutions for our customers, we understand how your equipment needs to work together in unison in order to provide you with the best possible end products.

Having spent time in the field, we understand the challenges that you face when it comes to crushing and screening, and so we continually develop and improve our customised mobile solutions in order for you to get the very best performance from your equipment.

SMART DIESEL-ELECTRIC DRIVE



Trimax CMC Mobile Tracked Equipment are equipped with our standard smart diesel-electric drive.

Besides a high performance and powerful Weichai diesel engine on board electrically driving the crushers and conveyors, CMC Mobile Tracked Crushing & Screening Plants are able to be connected to the government supplied electrical grid. This flexibility results in a highly reliable, operationally economical, and environmentally conscious crushing & screening operation.

WEICHAI





TRIMAX WASHING PLANT SOLUTIONS

WHenever you require better quality washed products.

CLEANING & SCREENING MODULE



Blade Mills are tough and efficient. They are designed to scour, abrade and breakdown deleterious, water-soluble clays from coarse rock and/or sand. They typically are placed ahead of washing screens to improve screening efficiencies.



Our **Washing Screens** designed for maximum efficiency and with minimum maintenance. All washing screens are fitted with water spray bars and polyurethane screens. Screen sizes are up to 10' x 24' (3,000mm x 7,300mm) in single, double, or triple deck arrangements.

SAND UNIT MODULE



Hydrocyclones are used to treat sands to meet stringent requirements such as grain size, cleanliness, and consistency. In order to achieve proper performance, hydrocyclones must typically be fed with a pumped slurry at a consistent percentage solids range and at a predetermined pressure.



Available in several sizes, **Dewatering Screens** are designed to produce a consistent drip-free product, which is typically more than 10 percent drier than that discharged from a bucket wheel sand washer or fine material screw washer.

RECOVERY & RECYCLING MODULE

Performs the functions of ultra-fines recovery and water recycling, the Recovery & Recycling Module typically consists of water treatment elements and a filter press.



Water treatment is composed of elements such as thickener tank, flocculent dosing station, fresh water storage tank, and fresh water pump.



Our range of Filter Presses are capable of separating liquid from solids under pressure. The produced cakes are immediately transportable by loaders while the water recovered after squeezing is fully recyclable within the washing plant.





TRIMAX COMPLETE PLANT SOLUTIONS

PLANNING & EXECUTION

SEEING BEYOND CRUSHERS

Over the years, Trimax Machinery has progressed beyond being just a supplier of “Simply Better Crushers”. We have evolved to become a complete solutions provider. Compelling both customers and competitors alike to view Trimax Machinery as “Seeing Beyond Crushers”.

When it comes to complete crushing & screening plants, Trimax Machinery has the ability to perform the necessary planning & execution.

From developing initial process flow diagrams and plant layouts to furnishing complete systems, Trimax Machinery is ready to help regardless of project size.

All Trimax crushing plants are pre-designed and modular. Compared to traditional crushing plants supplied by other competitors, a modular solution always provides higher efficiency and faster set-up times. Enabling quicker Return on Investment.

Checklist

- Process Flow Diagrams
- Plant Design
- Civil Work Construction (Some Locations Only)
- Main Equipment
- Electrical Control & Cabling
- Shipping & Domestic Transportation
- Plant Installation
- Plant Commissioning
- Operational & Maintenance Training
- Recommended Spares & Wear Parts List





COMPLETE PLANT CASE STUDY 1

This was a project completed during the Covid-19 global pandemic. On 2 February 2021, we completed and commissioned a Trimax 550TPH Crushing & Screening Plant in Cigudeg, Bogor, Indonesia. This was the first time that this particular customer had ventured into the aggregates quarrying industry and the close support provided by Trimax Machinery every step of the way, greatly helped in giving customer confidence that the project would be completed successfully.

COMPLETE PLANT CASE STUDY 2



At the height of the Covid-19 global pandemic, we completed and commissioned another Trimax 650TPH Crushing Plant on 31 August 2021.

Finally, these final products would be conveyed on this overland conveyor to a cement plant 3.5km away.

There were some notable features of this crushing and screening plant. Firstly, part of the project included a washing plant with a thickener tank and filter press for water treatment and recovery. It also had a corrugated steel tunnel underneath the various end product stock piles that would transfer the various end products onto an overland conveyor.



Updated March 2024



MODULAR SKID MOUNTED PLANTS

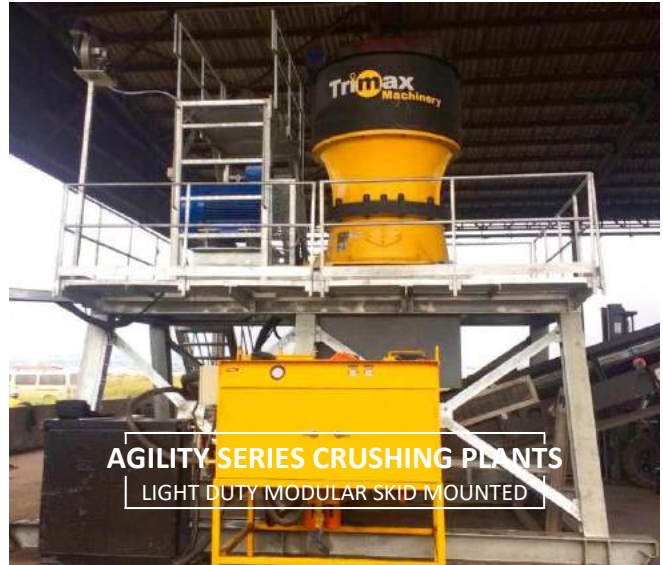
FAST EXECUTION, COMMISSIONING & OPERATION

MODULAR SKID MOUNTED PLANTS

Trimax Modular Skid Mounted Plants incorporate standardised plant designs of various production capacities, timely manufacturing of machinery and steel structures, optimized packing, and logistics delivery to sites, fast execution upon arrival at sites, fast set-up times, commissioning and operation.

Ask Yourself

- Do you have a limited contract time period to perform a maximum amount of crushing & screening?
- Do you want to reduce time consuming civil work construction as much as possible?
- Do you want to have an operational crushing & screening plant to start earning revenue for you as soon as possible?



AGILITY SERIES CRUSHING PLANTS
LIGHT DUTY MODULAR SKID MOUNTED



Existing crushing plants have existing machinery and unique plant layouts. However, growing and complex markets demand more specific requirements that existing crushing plants may have difficulties meeting. At Trimax Machinery, we respond to this growing demand with individualised solutions that bring you forward and enable your existing crushing plant to upgrade to meet these new requirements. Based on our extensive collected expertise and knowledge, we are able to offer individual customised solutions, that also convince you economically. Our ultimate aim is to offer a solution with real value and tangible results.

EXISTING PLANT UPGRADE CASE STUDY 1



In late 2017, we were requested by a customer to give a proposal to upgrade his existing crushing plant. Through computer-aided simulation, we identified that the existing secondary cone crusher was the bottle-neck. This led to a change to a larger Trimax NS400 Cone Crusher.

We also identified that the existing final product vibrating screen would also need to be upgraded from a 2820 to a 2824 vibrating screen, in order to accommodate the eventual new total plant production.

A new feed chute to the new cone crusher, railings and walk-ways for both machineries, were also supplied as part of the project. The final plant capacity test proved a 30% increase in production as a result of this upgrading project.



EXISTING PLANT UPGRADE CASE STUDY 2



EXISTING PLANT UPGRADES
BRINGING YOU FORWARD

In early 2019, 3 cone crushers were sent to us for reconditioning. Besides inspecting and replacing the usual wear and spare parts normally done for these crushers that were more than 10 years old, Trimax Machinery was asked to convert these cone crusher from the spider bushing design to the field-proven spherical plain bearing design. This conversion was done successfully and these crushers are now operational and back to their original production capacities.

EXISTING PLANT UPGRADE CASE STUDY 3

In late 2021, we were approached by a customer who had an existing crushing plant in Perlis, Malaysia. The primary section of this crushing plant had excess crushing capacity. At the same time, there was an increased demand for more aggregates from his customers. Therefore, he wanted to expand the overall production capacity of his quarry.

Trimax Machinery was tasked to supply a brand new secondary and tertiary crushing plant extending from the existing primary stock pile capable of producing 250tph of aggregates.



A steel tunnel was installed at the side of the existing primary stock pile. A total of 4 products were required. 0 - 50mm crusher run, 10 – 25mm aggregate product, 6 – 10mm chipping product and a 0 – 6mm dust product.

Trimax Machinery designed, supplied and installed a modular plant to meet the needs of this particular



customer.

A Trimax ADplus 2512 vibrating screen with 90mm aperture wire meshes on the top relief deck and 50mm aperture wire meshes on the bottom deck served the function of a scalping screen. A Trimax NS300 Cone Crusher was used as a secondary cone crusher accepting scalped feed material above 50mm. Finally, completing the circuit, a Trimax NH300 Cone Crusher was fed with the oversized 25mm material from a Trimax ADplus 3820 vibrating screen fitted with 25mm, 10mm, and 6mm aperture wire meshes.

In August 2022, this crushing plant extension was successfully commissioned and a capacity test was conducted. This crushing plant extension achieved a rated capacity of 330tph for all 4 products, far exceeding the initial 250tph requirement. Completing yet another successful crushing plant upgrade.



EXISTING PLANT UPGRADES
BRINGING YOU FORWARD

CONVEYANCE SOLUTIONS

WE KEEP YOU MOVING

JETTY CONVEYORS, OVERLAND CONVEYORS & GENERAL BULK CONVEYORS

Trimax Machinery implements customer-specific and efficient conveyor systems specific to different objectives and topographical contexts. Catering to challenging routing and intermediate discharge points. Here are some key elements in our conveyance solutions.



IDLER

BETTER SEALING
LOW MAINTENANCE
COST EFFECTIVE



IMPACT ROLLER

ABSORBS IMPACT
REDUCES BELT
DAMAGE



SELF-CENTERING ROLLERS

SELF-ALIGNING
RELIABLE



HEAD & TAIL DRUMS

CUSTOMISED SIZES
LAGGING OPTIONS



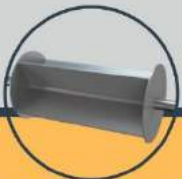
BELT CLEANER

EFFECTIVE
DURABLE
COMPETITIVE PRICE



CONVEYOR BELT

HIGH TENSILE
STRENGTH
DURABLE



PADDLE WHEEL

MINIMISES
MATERIAL
SEGREGATION



IMPACT BED

ABSORBS IMPACT
REDUCES BELT
DAMAGE



METAL DETECTOR

EASY
INSTALLATION
ADJUSTABLE
SENSITIVITY



PLUMMER BLOCK

HIGH LOAD RATING
DUST PROTECTION
WATER PROTECTION



MAGNET

HIGH STRENGTH
LOW MAINTENANCE
COMPETITIVE PRICE



SPEED REDUCER

HIGH PRECISION
HIGH EFFICIENCY
HIGH QUALITY



FOOT MOUNTED MOTOR

40 YEARS
HIGH RELIABILITY



VIBRATORY MOTOR

ZERO MAINTENANCE
OPTIMISED DESIGN



GEAR MOTOR

ALL STEEL
ROBUST
HIGH EFFICIENCY

ADPLUS ONLINE SINGAPORE

[HTTPS://ADPLUSONLINE.COM.PANY.SITE](https://adplusonline.com/company.site)



SEARCH. ORDER. DONE.

CONVENIENCE AT YOUR FINGERTIPS

A BRAND NEW WORLD OF ONLINE SHOPPING



<https://adplusonline.company.site>

10% OFF YOUR 1ST ORDER WITH WELCOME10 PROMO CODE

The ADPLUS Online Singapore Shop aims to fulfill many customers' present needs for: -

- Ease of search for crusher parts and other quarry supplies.
- Available 24 x 7 / 365 days a year. Come rain or shine or even during a global pandemic.
- Unparalleled convenience when ordering.
- Centralised purchasing control required by many Purchasing Managers or Department Heads for their various crushing sites.
- Monitoring of transparent purchasing decisions by purchasers required by top management.

SINGAPORE HEADQUARTERS

8 Ubi Road 2
04-08 Zervex
Singapore 408538
Tel : +65 6894 8816
sebastian@trimaxmachinery.com

AUSTRALIA

INTEGRATED QUARRY AND MINING SERVICES PTY LTD
2/219 Derrimut Drive
Derrimut VIC 3020
Australia
Tel : 1300 787 240
leigh@iqmaintenance.com.au

QUARRY & MINING MANUFACTURE PTY LTD

24 – 30 Kauna Ave
Edinburgh Parks SA 5111
Australia
Tel : 08 8349 0900
sales@qmm.net.au

INDONESIA

Ruko Citra Grand Blok CW 9 No. 23
Jatikarya Jatisampurna
Bekasi Jawa Barat 17435
Indonesia
Tel : 021 8430 5490
raymond@trimaxmachinery.com

MALAYSIA

No. 19 Jalan Mega 1/6
Taman Perindustrian Nusa Cemerlang
79200 Nusajaya Johor
Malaysia
Tel : 07 509 7877
dennis@trimaxmachinery.com

86 Jalan Sawit Baru 5
Taman Perindustrian Sawit Baru
81030 Kulai Johor
Malaysia
Tel : 07 652 5088 / 6088
bhong@adplus.com.sg

No. 6 Jalan Desa Serdang 5
Desa Serdang
43300 Seri Kembangan
Selangor Darul Ehsan Malaysia
Mobile : 012 670 0161
slcheng@trimaxmachinery.com

KH CHIN TRADING SDN BHD
No. 5 Lorong Saga Jaya 7
Taman Perindustrian Saga Jaya
13600 Perai Penang
Malaysia
Mobile : 012 478 3881
sale@khchin.com